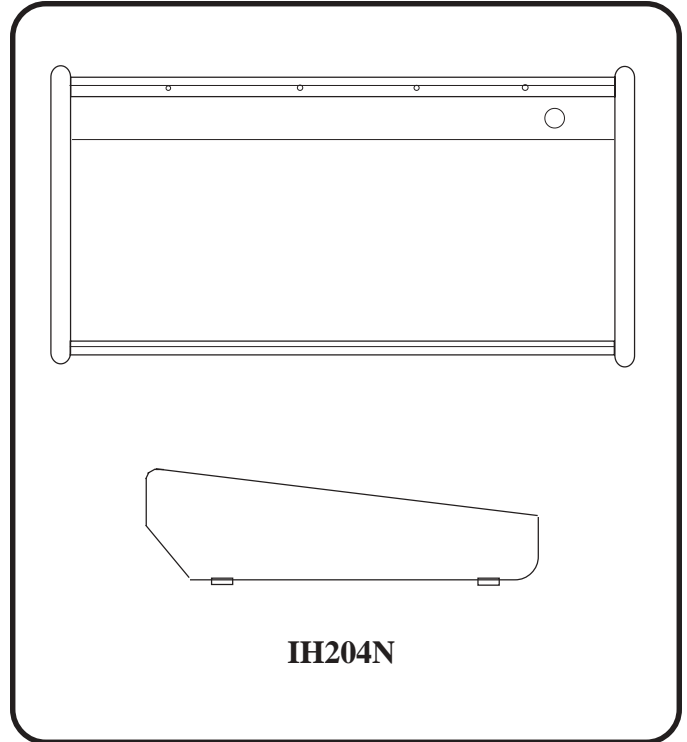
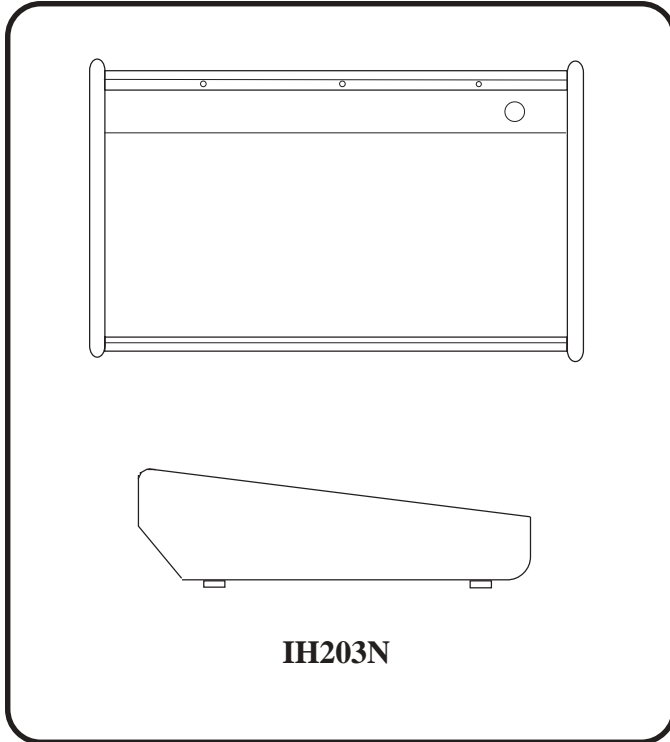




IH203N, IH204N Desk Cabinets Specification Sheet

IL501
Section E
Rev. 6 - 09/2004



SPECIFICATION

IH200 Series housings are desk cabinets for 3 to 6 TekTone® 4" wide aluminum panels. See chart for reference. IH200 Series cabinets are constructed of laminate-covered wood with solid oak sides.

APPLICATION

Housings are designed for use with the Tek-CARE® NC200 Nurse Call Master Station.

| Model# | Number of Panels | Height | Width | Depth |
|---------------|------------------|--------------|--------------|---------------|
| IH203N | 3 | 4.25" | 13.5" | 11.75" |
| IH204N | 4 | 4.25" | 17.5" | 11.75" |
| IH205N | 5 | 4.25" | 21.5" | 11.75" |
| IH206 | 6 | 4.25" | 25.5" | 11.75" |

www.tektone.NET

277 Industrial Park Road • Franklin, NC 28734 • Phone (828) 524-9967 • Fax (828) 524-9968
 Email: tektone@tektone.net • Technical Assistance Email: teksupt@tektone.net
TekTone®'s quality system is registered by UL® to the ISO 9001:2000 standard. (File #A10766.)